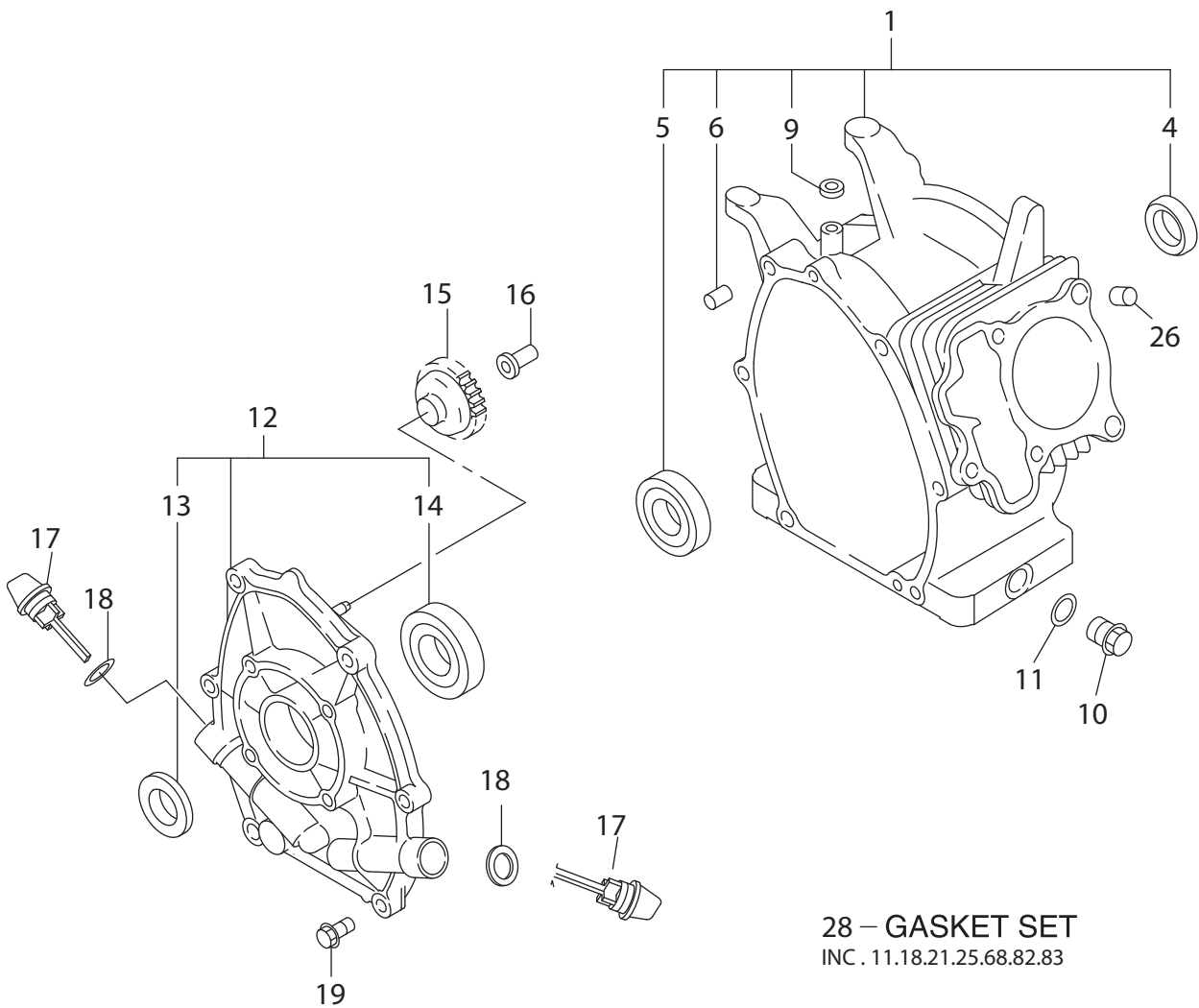
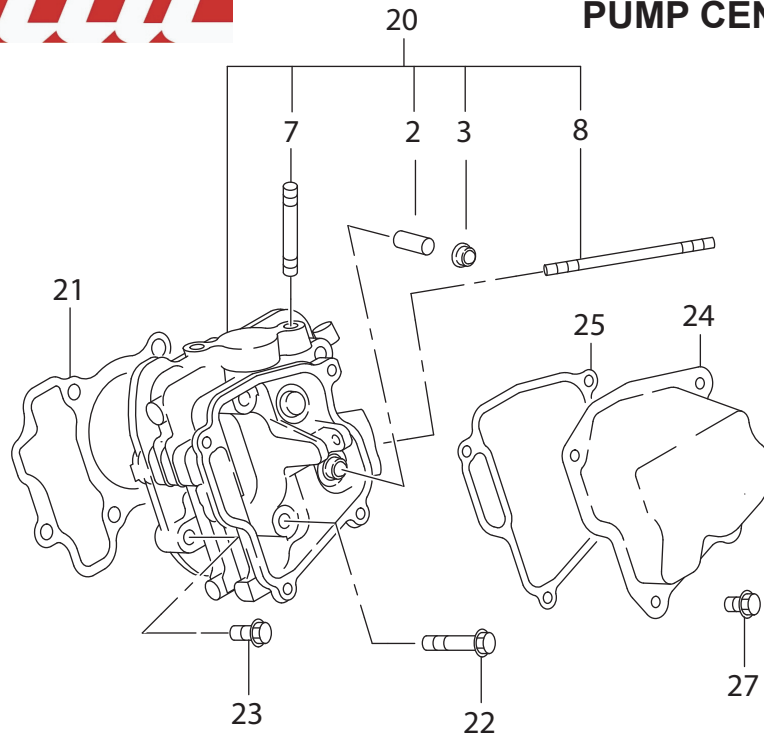
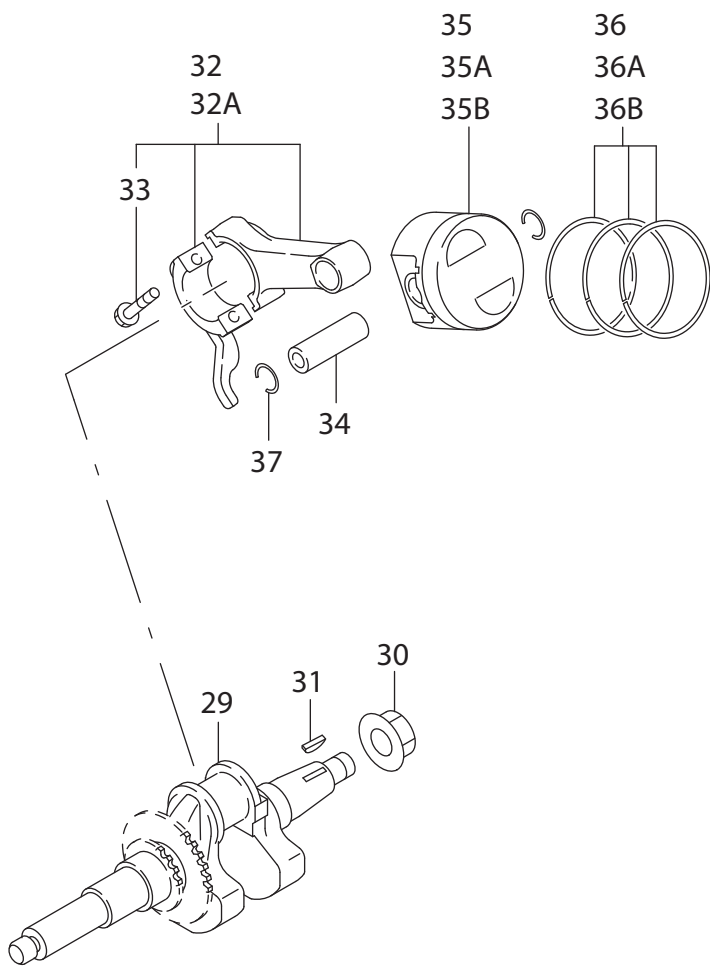
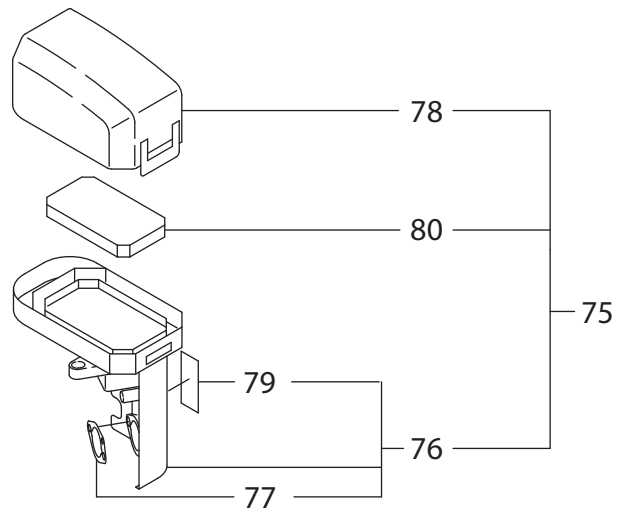
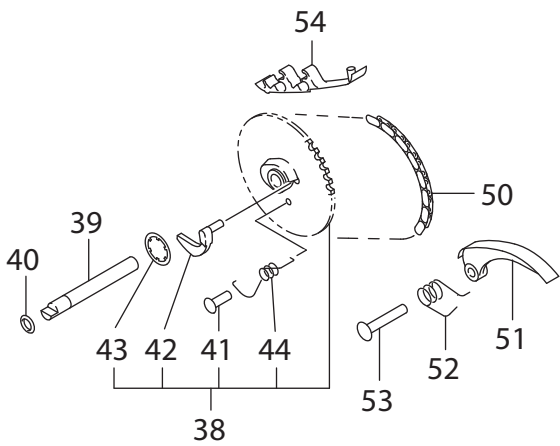
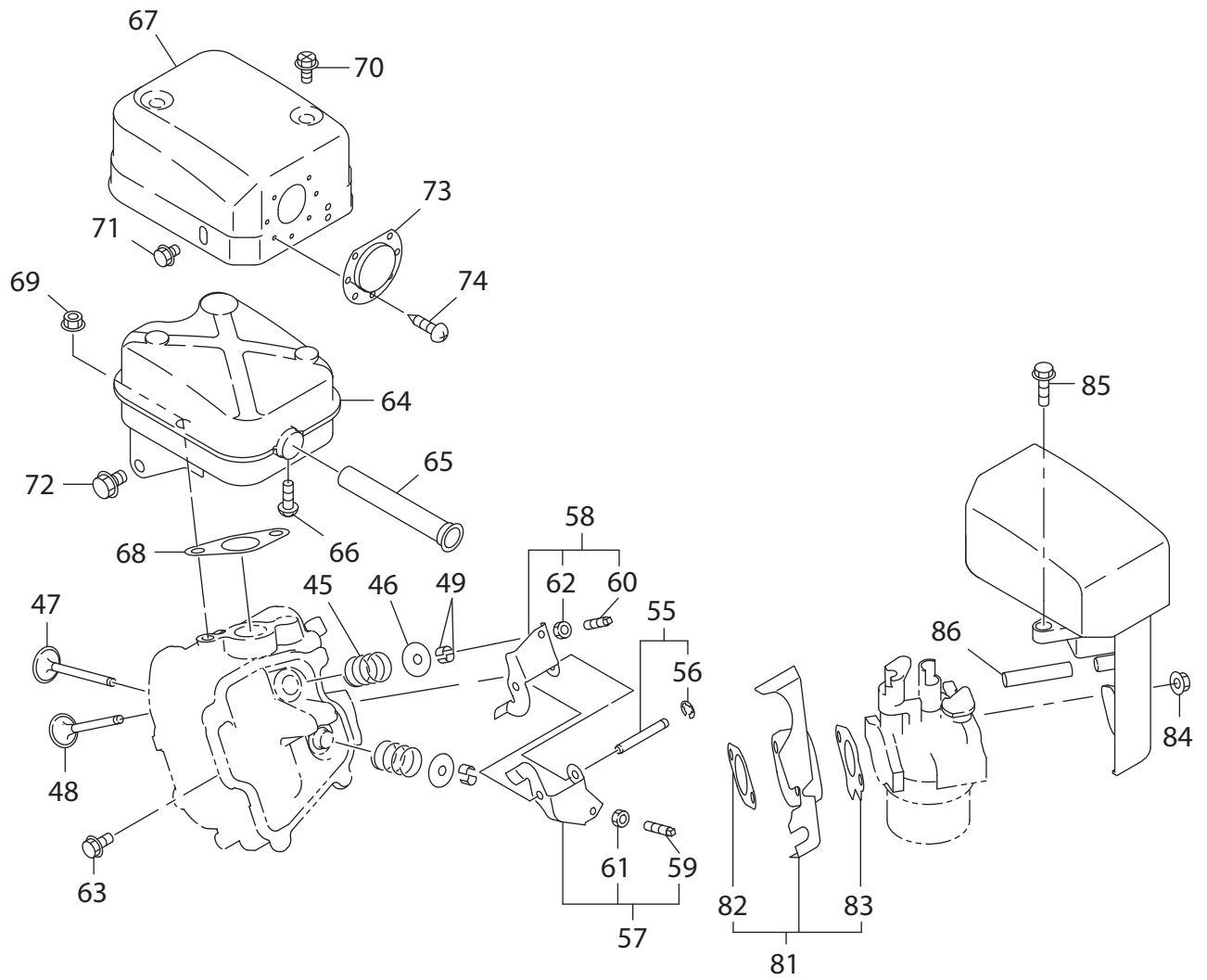


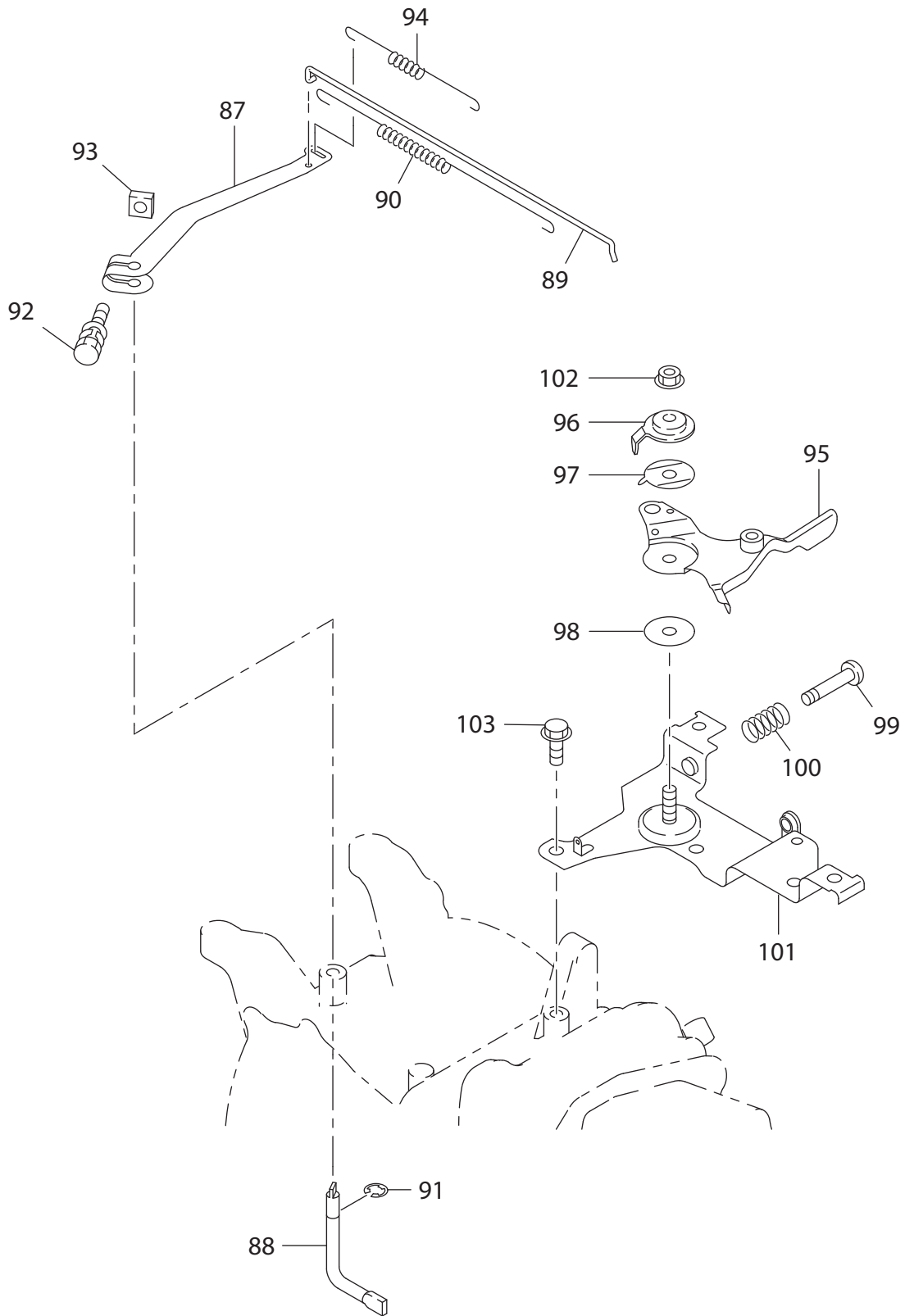
PUMP CENTRIFUGAL 2''

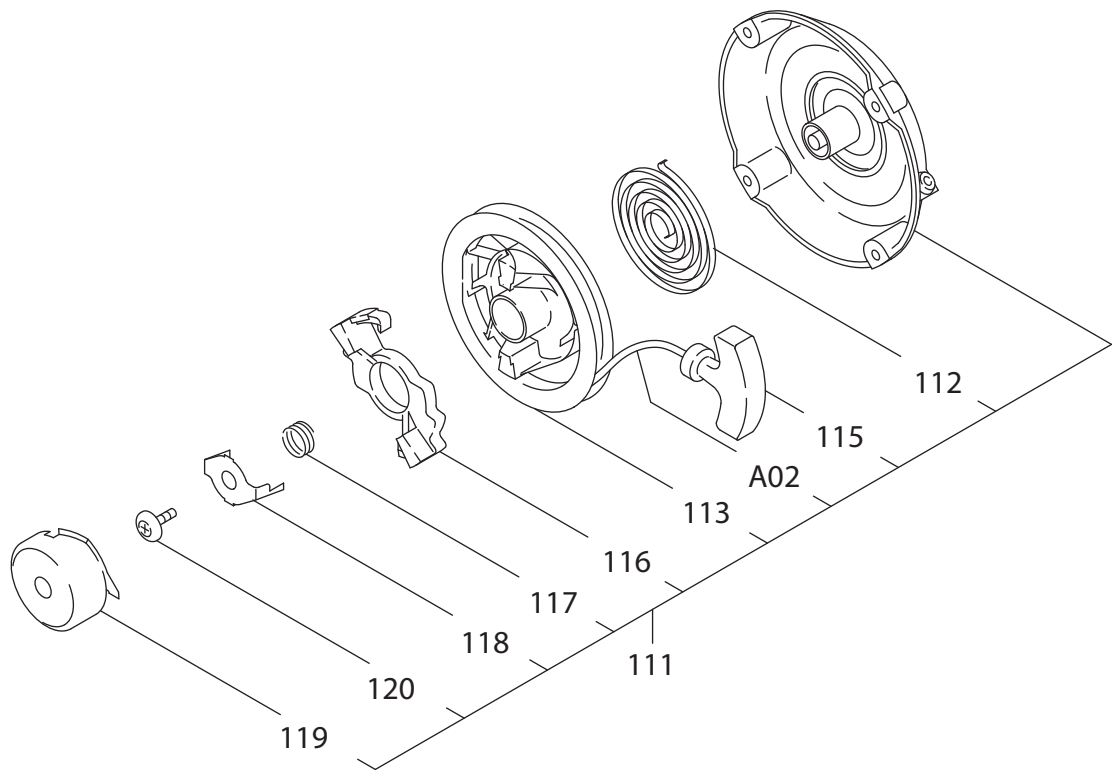
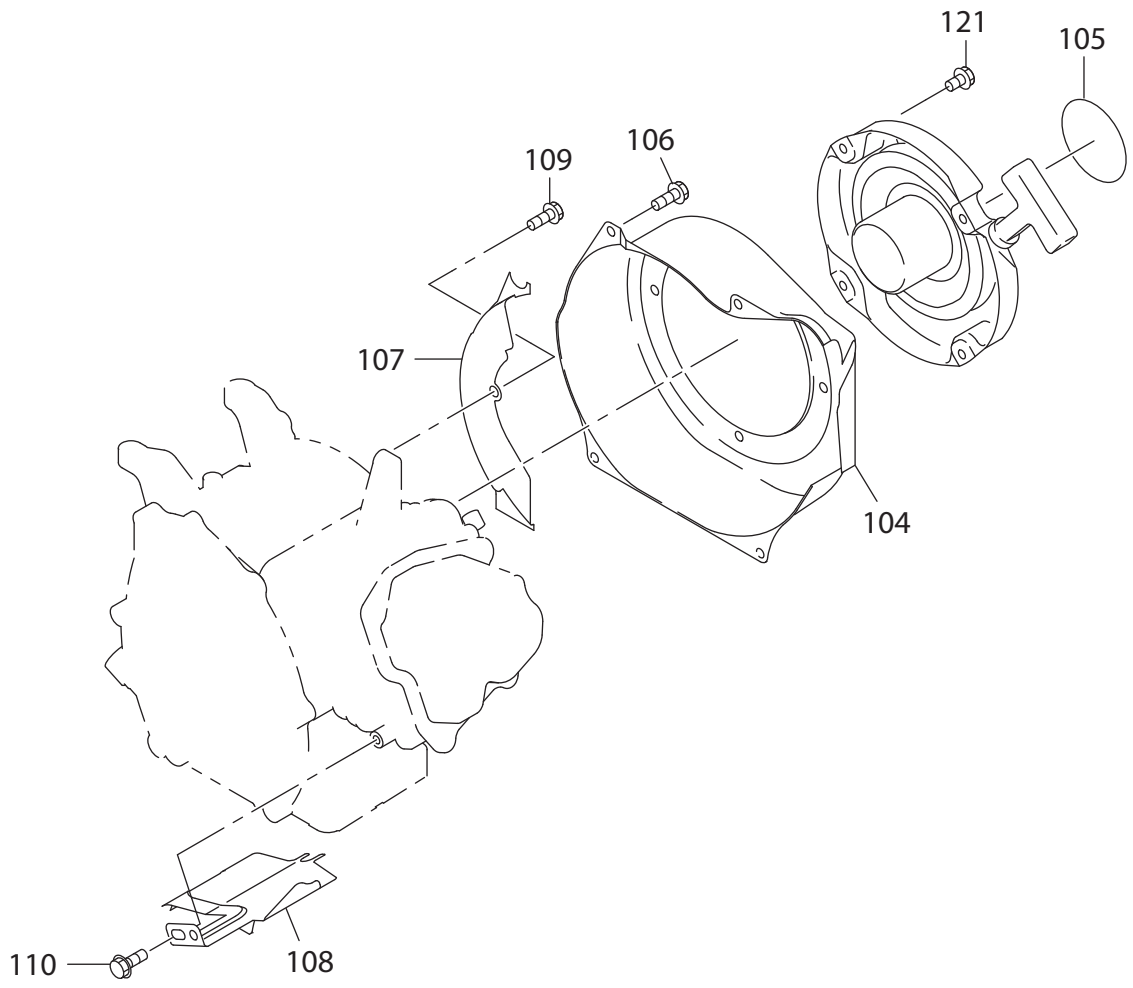


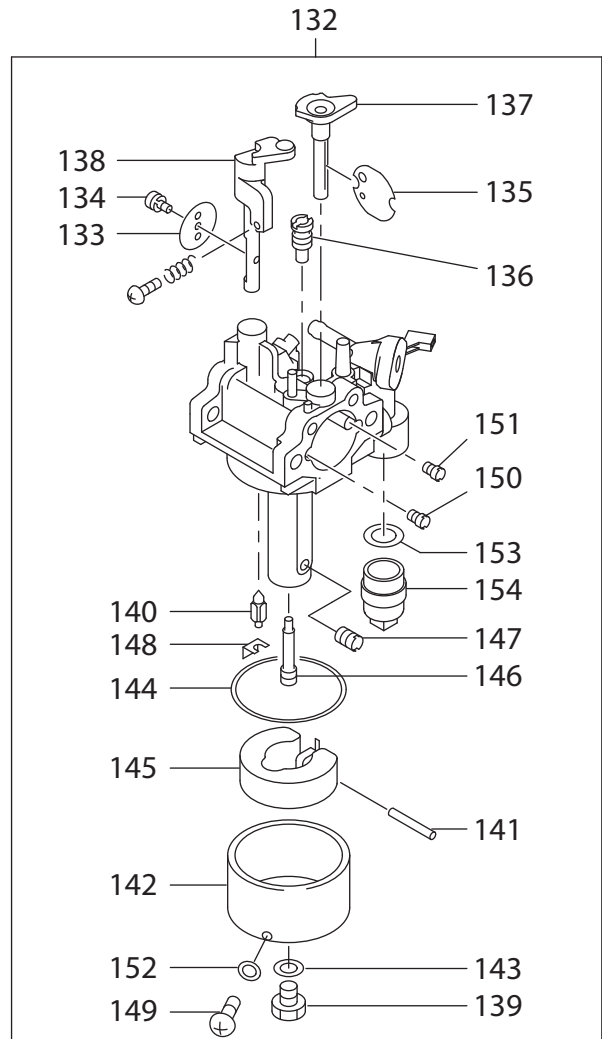
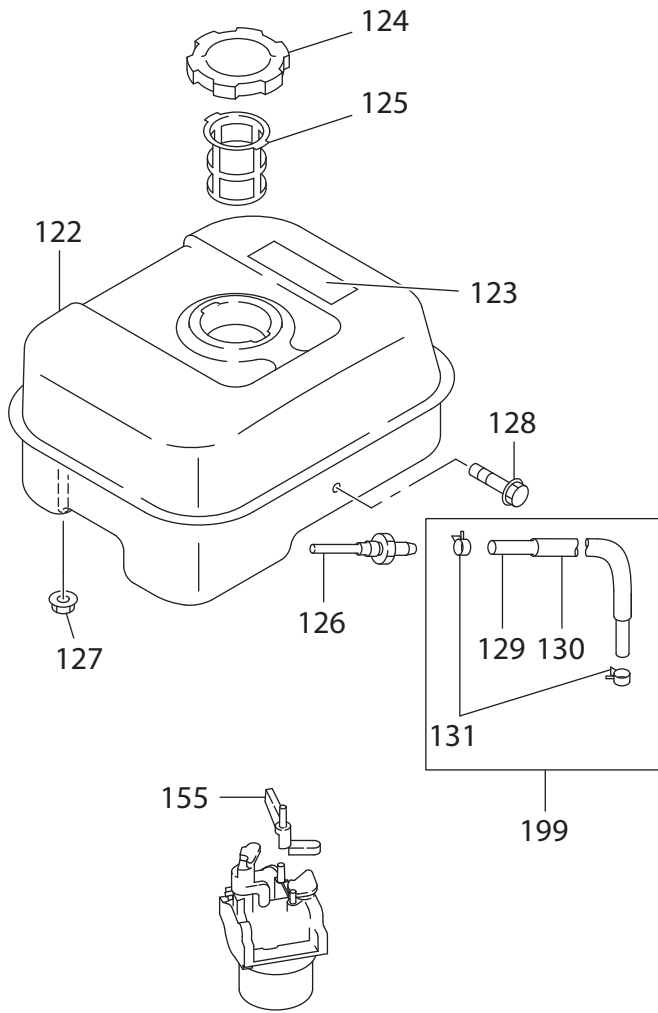
28 - GASKET SET
 INC. 11.18.21.25.68.82.83

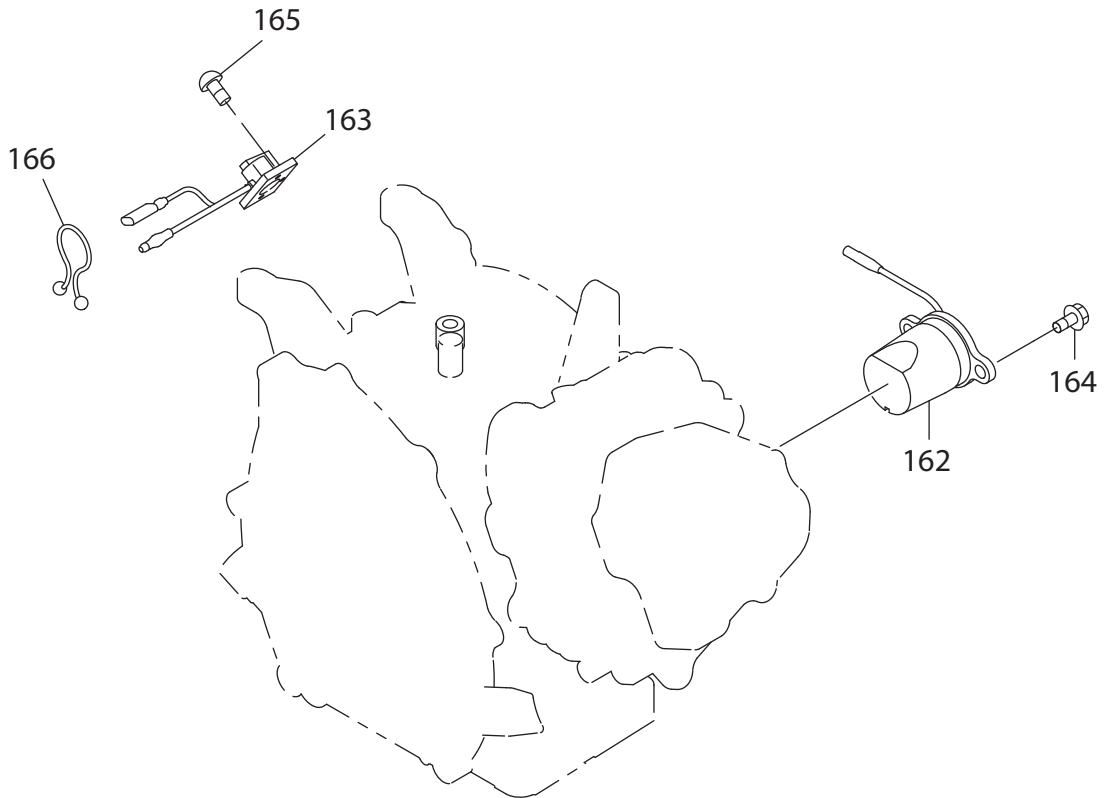
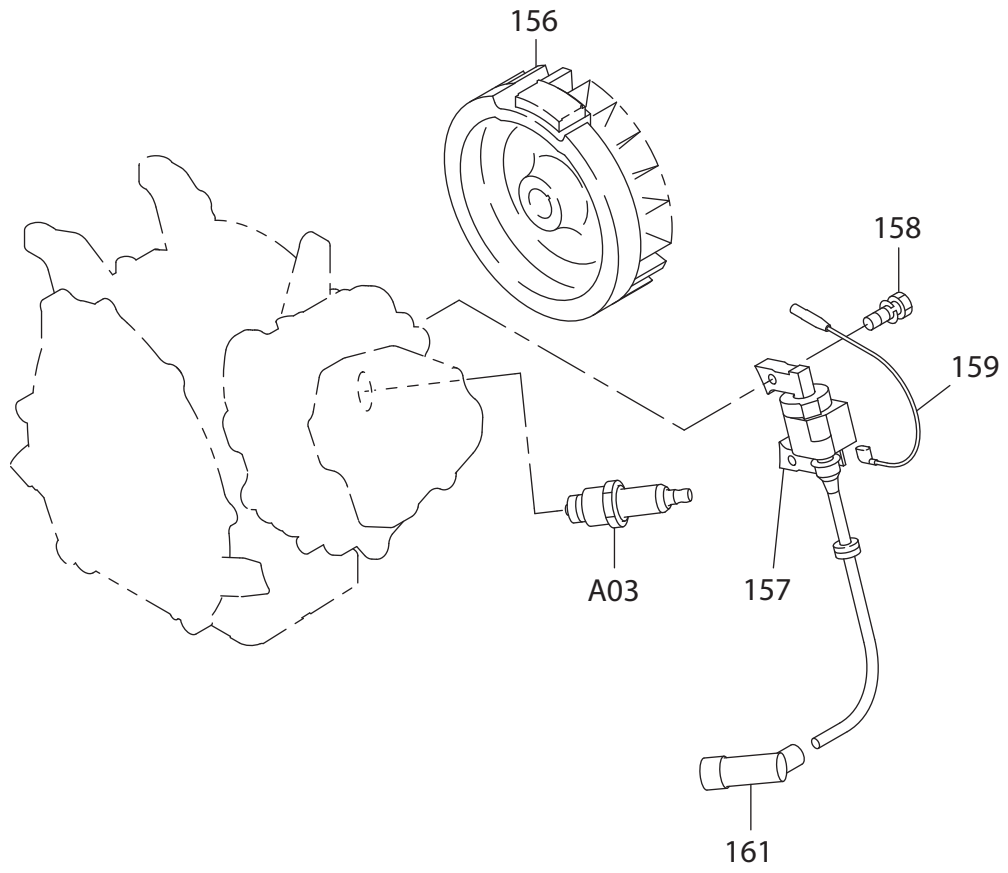


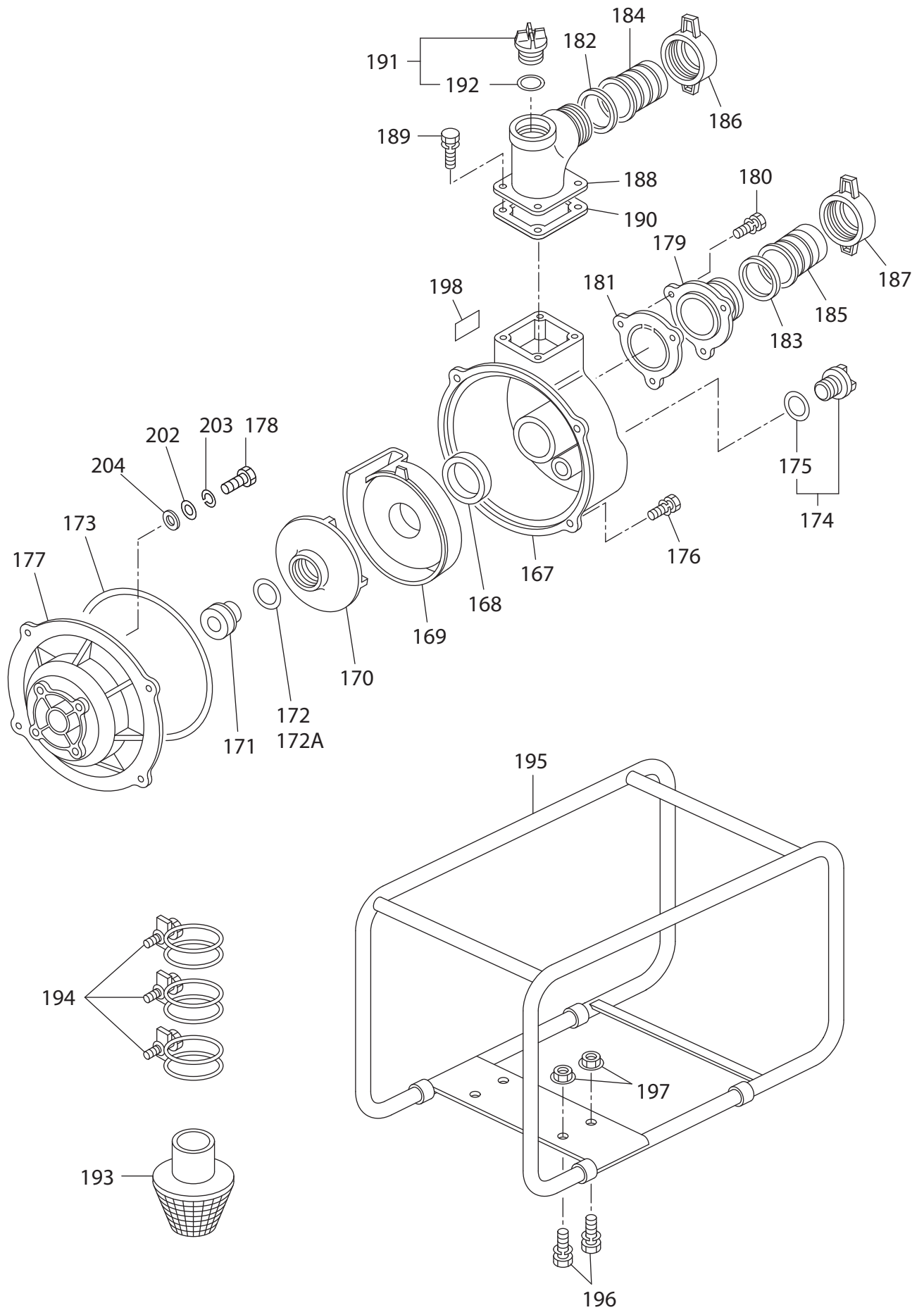


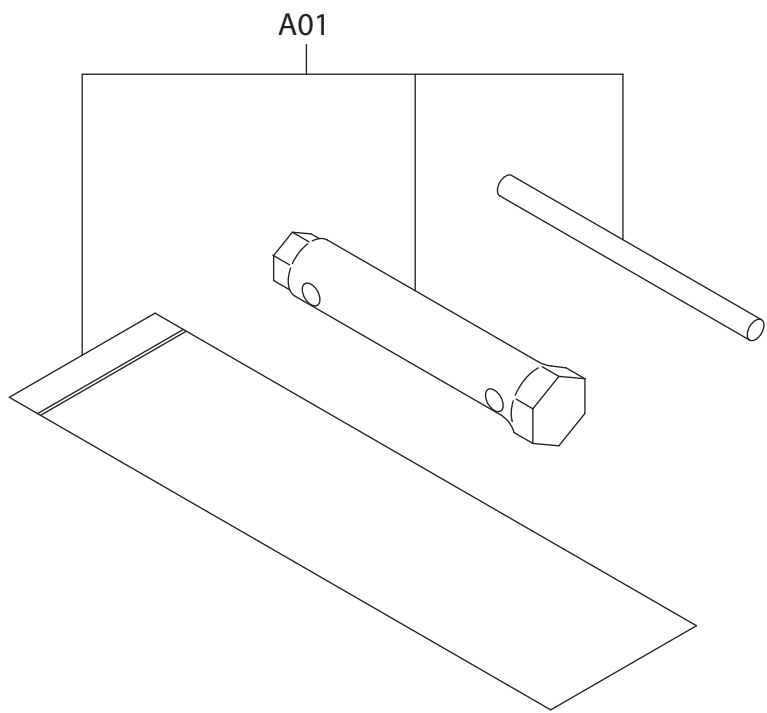












Item No	Type	Ref Ref Part No	SC Description	Qty	Unit
1	1	276-10102-41	CRANK CASE CP Item No. 4-6,9	1	PC.
2		237-14202-03	VALVE GUIDE	2	PC.
3		277-16010-01	STEM SEAL	1	PC.
4		044-02502-00	OIL SEAL 25DX38DX7B	1	PC.
5		060-02800-21	BALL BEARING 62/28 28DX58DX16B	1	PC.
6		277-15011-03	PIPE KNOCK 10.3DX8.5DX14L	2	PC.
7		010-50802-50	STUD	2	PC.
8		010-50603-51	STUD M6X1.0X98L	2	PC.
9		044-00600-20	OIL SEAL 6DX10DX2.5B	1	PC.
10		040-11400-30	PLUG	2	PC.
11		021-11400-20	GASKET	2	PC.
12	1	277-11001-31	MAIN BEARING COVER COM - N/L/A	1	PC.
	2	277-11001-41	MAIN BEARING COVER COM Item No. 13,14	1	PC.
	3	277-11001-61	MAIN BEARING COVER COM Item No. 13,14	1	PC.
13		044-02502-10	OIL SEAL 25DX41.25DX6B	1	PC.
14		X60-02501-40	BALL BEARING 6205	1	PC.
		060-02501-40	BALL BEARING 6205	1	PC.
15	2	277-45004-J1	GOVERNOR GEAR COM. (OLD# 277-45004-H1 - N/L/A)	1	PC.
	3	277-45004-K1	GOVERNOR GEAR COM.	1	PC.
16	1	277-41901-03	GOVERNOR SLEEVE - N/L/A	1	PC.
	2	277-41902-01	GOVERNOR SLEEVE COM	1	PC.
17	1	277-63601-13	OIL GAUGE M18X1.5 L=70+18	2	PC.
	2	277-63601-23	OIL GAUGE	2	PC.
	3	277-63601-30	OIL GAUGE	2	PC.
18	1	021-31600-20	GASKET 16DX23X1.2T	2	PC.
	2	X21-31600-20	GASKET 16DX23X1.2T	2	PC.
	3	277-63601-08	GASKET	2	PC.
19		001-04083-50	FLANGE BOLT	6	PC.
20		276-13001-11	CYLINDER HEAD CP Item No. 2,3,7,8	1	PC.
21		276-15001-33	GASKET (HEAD)	1	PC.
22		011-00802-40	FLANGE BOLT M8X1.25X16DX68L	4	PC.
23		011-00803-10	FLANGE BOLT M8X33L	1	PC.
24	1	277-15501-01	LOCKER COVER CP	1	PC.
	2	277-15503-01	ROCKER COVER COM	1	PC.
	3	277-15503-11	ROCKER COVER COM	1	PC.
25	1	277-16001-13	GASKET(ROCKER COVER)T=0.7	1	PC.
	2	277-16001-23	GASKET(ROCKER COVER)T=0.7	1	PC.
26		277-15011-03	PIPE KNOCK 10.3DX8.5DX14L	2	PC.
27		011-00600-20	FLANGE BOLT M6X1.0X14DX12L	4	PC.
28	1	276-99001-07	GASKET SET Item No. 11,18,21,25,68,82,83	1	SET
	2	276-99001-27	GASKET SET - N/L/A Item No. 11,18,21,25,68,82,83	1	SET
	3	276-99001-37	GASKET SET Item No. 11,18,21,25,68,82,83	1	PC.
29	1	276-20301-21	CRANK SHAFT CP - N/L/A	1	PC.
	2	276-20301-31	CRANK SHAFT CP	1	PC.
30		018-01400-20	FLANGE NUT M14X1.5X28DX12H	1	PC.
31		032-30300-10	WOODRUFF KEY	1	PC.

Item No	Type	Ref Ref Part No	SC Description	Qty	Unit
32		276-22501-10	CONNECTING ROD ASSY Item No. 33	1	PC.
33		277-23001-03	CONNECTING ROD BOLT	2	PC.
34		276-23301-03	PISTON PIN	1	PC.
35		276-23401-H3	PISTON, STD	1	PC.
36	1	276-23511-17	PISTON RING SET, STD	1	PC.
	2	276-23511-27	PISTON RING SET, STD	1	PC.
37		215-25004-03	CLIP	2	PC.
38	1	277-31601-21	* CAM SHAFT CP * Item No. 41-44	1	PC.
	3	277-31601-61	* CAM SHAFT CP * Item No. 41-44	1	PC.
	4	277-31601-71	* CAM SHAFT CP * Item No. 41-44	1	PC.
39	1	277-35101-03	PIN(CAM SHAFT)9DX78.5L	1	PC.
	2	277-35101-01	PIN(CAM SHAFT)CP	1	PC.
		277-35101-03	PIN(CAM SHAFT)9DX78.5L - N/L/A as individually	1	PC.
40		024-00600-10	O RING 5.8DX9.6D - N/L/A as individually	1	PC.
41		277-38601-03	PIN(SPRING) 4DX8DX9L	1	PC.
42	1	277-36401-03	RELEASE LEVER	1	PC.
	2	277-36401-13	RELEASE LEVER	1	PC.
43		277-36501-03	CLIP 13.8DX20.3DX0.4T	1	PC.
44	1	277-38702-03	* RETURN SPRING	1	PC.
	3	277-38702-23	* RETURN SPRING	1	PC.
	4	277-38702-33	* RETURN SPRING	1	PC.
45		279-33601-03	VALVE SPING	2	PC.
46		269-33701-03	SPRING RETAINER	2	PC.
47		276-33401-H3	INTAKE VALVE	1	PC.
48		276-33501-H3	EXHAUST VALVE	1	PC.
49		132-10KA0-31	COLLET VALVE	4	PC.
50	1	276-35601-11	TIMING CHAIN CP - N/L/A	1	PC.
	2	276-35602-H1	TIMING CHAIN CP	1	PC.
51	1	277-36911-03	TENSIONER	1	PC.
	2	20A-36911-03	TENSIONER	1	PC.
52		277-37101-03	SPRING(TENSIONER)	1	PC.
53		277-36902-03	PIN(TENSIONER) 6DX13DX34L	1	PC.
54	1	277-36913-13	CHAIN GUIDE	1	PC.
	2	20A-36913-03	CHAIN GUIDE	1	PC.
55	2	277-35004-01	PIN(ROCKER) COM (OLD# 277-35002-01 - N/L/A) Item No. 56	1	PC.
56		003-13050-00	CLIP	1	PC.
57		277-36201-00	LOCKER ARM(INTAKE) ASS'Y Item No. 59,61	1	PC.
58		277-36202-00	ROCKER ARM(EXHAUST)ASS'Y Item No. 60,62	1	PC.
59		014-90500-20	ADJUST SCREW M5X23	1	PC.
60		014-90500-20	ADJUST SCREW M5X23	1	PC.
61		017-00500-30	NUT M5	1	PC.
62		017-00500-30	NUT M5	1	PC.
63		011-00600-20	FLANGE BOLT M6X1.0X14DX12L	1	PC.
64	1	276-30111-H1	* MUFFLER COMPLETE	1	PC.
	2	276-30111-J1	* MUFFLER COMPLETE	1	PC.
65		277-37601-01	SPARK ARRESTOR CP	1	PC.

Item No	Type	Ref Ref Part No	SC Description	Qty	Unit
66		015-00400-60	TAPPING SCREW M4X6L	1	PC.
67	1	276-34201-01	MUFFLER COVER CP - N/L/A	1	PC.
	2	276-34201-21	MUFFLER COVER CP	1	PC.
	4	276-34201-41	MUFFLER COVER CP	1	PC.
68		277-35201-13	GASKET(MUFFLER)	1	PC.
69	1	980-20082-80	FLANGE NUT M8	2	PC.
	2	002-38080-00	FLANGE NUT	2	PC.
70		015-20600-90	TAPPING BOLT	2	PC.
71		011-00600-10	FLANGE BOLT M6X1.0X14DX8L	1	PC.
72		011-00803-20	FLANGE BOLT	1	PC.
73		277-37203-H1	SCREEN CP	1	PC.
74		015-00400-60	TAPPING SCREW M4X6L	2	PC.
75	1	277-32611-00	AIR CLEANER ASSY	1	PC.
			Item No. 76,78,80		
	2	277-32611-10	AIR CLEANER ASSY	1	
			Item No. 76,78,80		
76		277-32601-08	BASE CP	1	PC.
			Item No. 77,79		
77		277-32604-08	PACKING	1	PC.
78		277-32602-08	COVER CP	1	PC.
79		277-32609-08	LABEL	1	PC.
80		277-32603-08	ELEMENT	1	PC.
81	1	277-32902-J1	INSULATOR COMPLETE	1	PC.
			Item No. 82,83		
	2	20A-32902-01	INSULATOR COMPLETE	1	PC.
			Item No. 82,83		
82	1	277-35903-J3	GASKET 2(INSULATOR)	1	PC.
	2	20A-35903-03	GASKET 2(INSULATOR)	1	PC.
83	1	277-35902-J3	GASKET 1(INSULATOR)	1	PC.
	2	20A-35902-03	GASKET 1(INSULATOR)	1	PC.
84		002-38060-00	FLANGE NUT M6	2	PC.
85	1	011-00600-50	FLANGE BOLT	1	PC.
	2	001-04062-00	FLANGE BOLT M6X20	1	PC.
86		085-10800-00	RUBBER PIPE (8DX11D)	1	PC.
87	1	277-42301-23	GOVERNOR LEVER - N/L/A	1	PC.
	2	277-42301-40	GOVERNOR LEVER	1	PC.
			Item No. 92, 93		
88		277-42201-33	GOVERNOR SHAFT	1	PC.
89	1	279-42701-11	GOVERNOR ROD CP	1	PC.
	2	279-42701-23	GOVERNOR ROD	1	PC.
90		277-42801-23	ROD SPRING 7DX.5DX182L N=16	1	PC.
91		003-13050-00	CLIP	1	PC.
92	1	013-00602-40	BOLT AND WASHER ASS'Y	1	PC.
	2	001-14062-50	BOLT AND WASHER ASS'Y	1	PC.
93		018-60600-20	NUT M6X1.0X4.9H	1	PC.
94	1	277-42510-13	GOVERNOR SPRING - N/L/A	1	PC.
	2	277-42510-23	GOVERNOR SPRING	1	PC.
95		277-43303-03	SPEED CONTROL LEVER	1	PC.
96		277-43502-03	STOP PLATE	1	PC.
97		277-44501-03	WASHER	1	PC.
98		021-70600-70	FRICTION WASHER	1	PC.
99		004-31062-50	SCREW	1	PC.
100		237-45004-23	SPRING(ADJUST)	1	PC.

Item No	Type	Ref Ref Part No	SC Description	Qty	Unit
101		277-46002-02	SPEED CONTROL BRACKET UNIT	1	PC.
102		002-35060-00	SELF LOCK NUT	1	PC.
103		011-00600-20	FLANGE BOLT M6X1.0X14DX12L	2	PC.
104		276-51205-01	BLOWER HOUSING CP	1	PC.
105		277-91703-03	LABEL(MAKITA)	1	PC.
106		011-00600-30	FLANGE BOLT M6X1.0X14DX14L	4	PC.
107	1	277-52711-11	BAFFLE 1(CASE) COM - N/L/A	1	PC.
	2	277-52711-21	BAFFLE 1 (CASE) COM	1	PC.
108		277-52702-03	BAFFLE 2(HEAD) COMPLETE	1	PC.
109		001-04061-60	FLANGE BOLT	1	PC.
110		011-00600-20	FLANGE BOLT M6X1.0X14DX12L	1	PC.
111	1	276-50301-00	RECOIL STARTER ASSY Item No. 112, 113, A02, 115-120	1	PC.
	2	276-50301-10	RECOIL STARTER ASSY - N/A Item No. 112-120	1	PC.
	3	276-50301-20	RECOIL STARTER ASSY Item No. 112-120	1	PC.
	4	276-50301-30	RECOIL STARTER ASSY Item No. 112-120	1	PC.
112		226-50716-08	SPIRAL SPRING	1	PC.
113		277-50121-08	REEL	1	PC.
115	1	281-50300-08	STARTER KNOB - N/L/A	1	PC.
	2	281-50300-18	STARTER KNOB	1	PC.
116		281-50325-08	RATCHET	1	PC.
117		281-50330-08	FRICITION SPRING	1	PC.
118		281-50340-08	FRICITION PLATE	1	PC.
119		276-50145-08	STARTER PULLY	1	PC.
120		281-50351-08	CENTER SCREW	1	PC.
121	1	013-00602-80	BOLT AND WASHER ASSY	4	PC.
	2	013-00602-81	BOLT AND WASHER ASSY	4	PC.
122	2	276-60105-11	FUEL TANK COM (OLD# 276-60105-01 - N/L/A)	1	PC.
123		073-20051-81	LABEL(WARNING)	1	PC.
124		043-04400-50	FUEL TANK CAP COMPLETE	1	PC.
125		X64-13600-10	FUEL FILTER	1	PC.
126	2	X50-51200-20	UNION (OLD# 050-51200-20 - N/L/A)	1	PC.
127		002-38060-00	FLANGE NUT M6	2	PC.
128		011-00601-30	FLANGE BOLT	1	PC.
129		085-19600-00	RUBBER PIPE(6DX11D)(OLD#X85-10612-30 - N/L/A)	1	PC.
130		277-64501-J1	GLASS TUBE	1	PC.
131		056-11100-20	HOSE CLAMP 11D (OLD# X56-11100-20 - N/L/A)	2	PC.
132	1	276-62301-20	CARBURETOR ASSY Item No. 133-154	1	PC.
	2	276-62301-30	CARBURETOR ASSY Item No. 133-154	1	PC.
	3	276-62301-50	* CARBURETOR ASSY Item No. 133-154	1	PC.
	4	276-62301-60	CARBURETOR ASSY Item No. 133-154	1	PC.
133		106-62538-08	THROTTLE VALVE	1	PC.
134		209-62351-08	SCREW ASS'Y	1	PC.
135		277-62525-08	CHOKE VALVE	1	PC.
136		246-62420-08	PILOT JET (#40)	1	PC.
137		277-62520-08	CHOKE LEVER	1	PC.

Item No	Type	Ref Ref Part No	SC Description	Qty	Unit
138		276-62530-18	THROTTLE SHAFT A	1	PC.
139		227-62451-08	BOLT	1	PC.
140		277-62500-08	NEEDLE	1	PC.
141		277-62515-08	PIN	1	PC.
142		277-62506-08	FLOAT BODY	1	PC.
143		214-62450-08	PACKING	1	PC.
144		214-62540-08	FLOAT CHAMBER PACKING	1	PC.
145		226-62506-08	FLOAT ASS'Y	1	PC.
146		276-62440-08	MAIN NOZZLE	1	PC.
147		277-62404-18	MAIN JET	1	PC.
148		226-62701-18	CLIP	1	PC.
149		277-62360-08	BOLT	1	PC.
150		207-62410-08	AIR JET	1	PC.
151		106-62410-08	AIR JET(PILOT)	1	PC.
152		236-62541-08	PACKING	1	PC.
153		277-62110-18	PACKING (OLD# 277-62110-08)	1	PC.
154		277-62100-18	CUP (OLD# 277-62100-08)	1	PC.
155		277-43801-01	CHOKE LEVER CP	1	PC.
156		276-79230-11	FLYWHEEL CP	1	PC.
157	1	277-79431-01	IGNITION COIL COMPLETE	1	PC.
	2	277-79431-11	IGNITION COIL COMPLETE	1	PC.
158		001-14062-50	BOLT & WASHER ASS'Y	2	PC.
159	1	277-73101-H1	WIRE 1 CP	1	PC.
	2	277-73114-01	WIRE 1 CP	1	PC.
161	1	065-50002-70	SPARK PLUG CAP	1	PC.
	2	X65-50002-70	SPARK PLUG CAP	1	PC.
	3	X65-50002-71	SPARK PLUG CAP	1	PC.
162	2	277-76301-21	OIL SENSOR CP (OLD# 277-76301-11 - N/L/A)	1	PC.
163		KU3-11071-01	SWITCH W/OIL CONTROL	1	PC.
164		001-14061-60	BOLT & WASHER ASS'Y	2	PC.
165		015-00400-90	TAPPING SCREW 4X12	2	PC.
166		056-90000-20	PURSE LOCK ASS'Y	1	PC.
167		480-05010-01	CASING	1	PC.
168		480-05010-12	INNER CASING PACKING	1	PC.
169		480-05010-11	INNER CASING	1	PC.
170		480-05010-09	IMPELLER	1	PC.
171		480-05010-10	MECHANICAL SEAL	1	PC.
172		480-05010-42	SHIM (18X14X0.3)	1	PC.
172A		480-05010-43	SHIM (18X14X0.6)	1	PC.
173		480-05010-02	CASING PACKING	1	PC.
174		480-05010-21	PLUG	1	PC.
			Item No. 175		
175		480-05010-22	O RING	1	PC.
176		480-05310-03	BOLT & WASHER ASSY	1	PC.
177		480-05010-04	CASING COVER	1	PC.
178		480-05010-05	BOLT M8X48	4	PC.
179		481-00000-01	SUCTION FLANGE	1	PC.
180		480-05010-14	BOLT AND WASHER ASS'Y (M8X25)	3	PC.
181		480-05010-15	CHECK VALVE	1	PC.
182		480-05010-17	NIPPLE PACKING	1	PC.
183		480-05010-17	NIPPLE PACKING	1	PC.
184		481-00001-14	HOSE COUPLING(ABS)	1	PC.
185		481-00001-14	HOSE COUPLING(ABS)	1	PC.

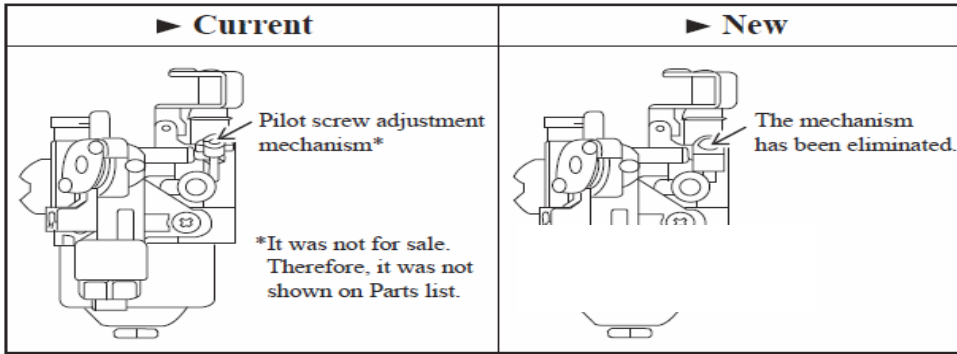
Item No	Type	Ref Ref Part No	SC Description	Qty	Unit
186		481-00001-60	COUPLING HANDLE (ABS)	1	PC.
187		481-00001-60	COUPLING HANDLE (ABS)	1	PC.
188		481-00000-03	DELIVERY FLANGE	1	PC.
189		480-05010-14	BOLT AND WASHER ASS'Y (M8X25)	4	PC.
190		480-05010-20	DELIVERY FLANGE PACKING	1	PC.
191		480-05010-21	PLUG	1	PC.
			Item No. 192		
192		480-05010-22	O RING	1	PC.
193		480-05050-29	STRAINER	1	PC.
194		480-05010-28	HOSE BAND	3	PC.
195		481-00001-59	FRAME (BLACK)	1	PC.
196		480-05010-23	BOLT AND WASHER ASS'Y (M8X40)	4	PC.
197		480-05010-24	FLANGE NUT (M8)	4	PC.
198		484-00021-03	LABEL(PUMP NAME)	1	PC.
199		276-62605-K1	FUEL PIPE CP	1	PC.
			Item No. 129-131		
202		480-05010-07	WASHER	4	PC.
203		480-05010-08	SPRING WASHER	4	PC.
204		480-05010-06	SEAL PACKING	4	PC.
032A		276-22502-00	CONNECTING ROD ASSY (0.25 UNDER SIZE)	1	PC.
			Item No. 33		
035A		276-23403-H3	PISTON, 0.25 O.S	1	PC.
035B		276-23404-H3	PISTON, 0.50 O.S	1	PC.
036A		276-23512-17	PISTON RING SET, 0.25 O.S	1	PC.
036B		276-23513-17	PISTON RING SET, 0.50 O.S	1	PC.
ACCESSORIES		- See catalogue or visit www.makita.ca for more optional accessories -			
A01	1	277-90301-H0	ACCESSORY TOOL KIT	1	PC.
	2	277-90301-J0	ACCESSORY TOOL KIT	1	PC.
A02		277-50110-08	STARTER ROPE	1	PC.
A03		065-01402-10	SPARK PLUG	1	PC.
A04		110004-D	WHEEL KIT (See 110004-D Parts Breakdown)	1	PC.
A05		123042-A	PVS SUCTION HOSE 2"X20'	1	PC.
A06		123045-A	PVS DISCHARGE HOSE 2X50'	1	PC.

SERVICE CHANGES

1. Changes on Carburetor Assy

Item No.	Description	Type 1	Type 2	Type 3
132	Carburetor Assy	276-62301-20	276-62301-30	276-62301-50

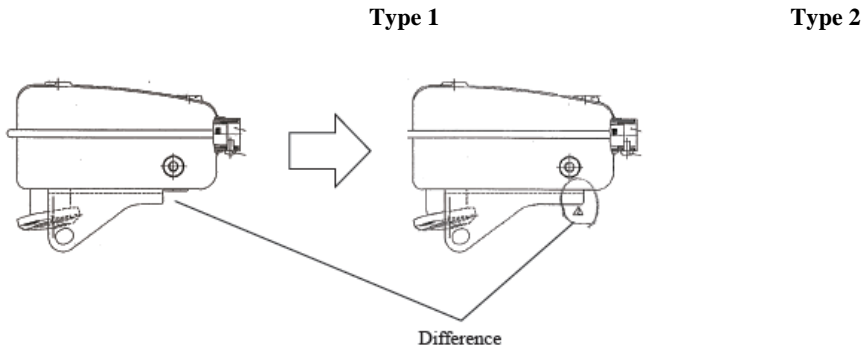
The components other than drawn below remain the same.



2. Changes on Muffler Complete

(TI#Y07216)

Item No.	Description	Type 1	Type 2
64	Muffler Complete	276-62301-20	276-62301-30



3. Changes on Return spring and Cam shaft complete

(TI#Y07141) (TI#Y07143) (TI#Y07268)

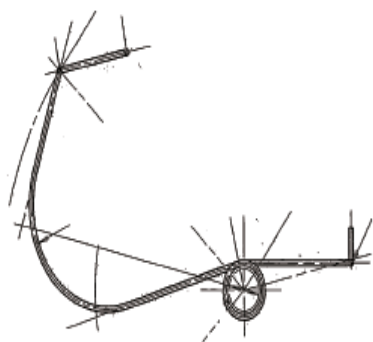
Item No.	Description	Type 1	Type 2	Type 3	Type 4
38	Cam Shaft Complete	277-31601-21	277-31601-51 - N/A	277-31601-61	277-31601-71
44	Return Spring	277-38702-03	277-38702-13- N/A	277-38702-23	277-38703-33

No. 44 is a component of No. 38

Type3, Type4: When you replace the current return spring with a new one, Use a new Cam shaft complete.

Type1, Type2: Marking "H" is added on the hooked portion of Return spring at "high speed operationmode" position.

Type 3



Type 4

